

# ***DAEQUIP***

**PREMIUM EQUIPMENT ATTACHMENTS**

***“DESIGNED TO WORK, BUILT TO LAST”***

## ***ROLLOUT BUCKET***

*Daequip has been building high quality Equipment Attachments for over 25 years. We have become known as one of the “Premium brands “by offering a high quality, well designed product with the best warranty in the business.*

*Rollout(High Dump) buckets are popular for Feed lots, recycling centers, loading debris into tub grinders and working around landfill/transfer station applications, high dump rollout buckets are ideal for most applications where increased dump height is required.*

- Twin, dual-cushioned cylinders increase stability
- Up to an 90% dump height improvement
- Smooth shell design allows for maximum material roll and optimal fill rates
- Optimized degree dump angle provides maximum load placement flexibility
- Quick Change or direct pin-on available
- Optional Integrated mesh viewing panels for better load visibility
- Sloped cylinder housing eliminates pockets for material compaction
- Lip, sidebars and skid shoes made from T1-400 (AR plate)
- Bucket roll and side-plates 44W (44,000-psi yield)
- Frame is made from both T1-100 and 44W
- Over-sized induction-hardened chrome pins complete with through-hardened
- greasable bushings at all hinge points
- ORB hydraulic fittings will not work loose or leak

### **Warranty**

*Daequip Premium Equipment attachments are guaranteed against failure due to defective design, materials, or workmanship for a period of 12 months from original purchase date\**

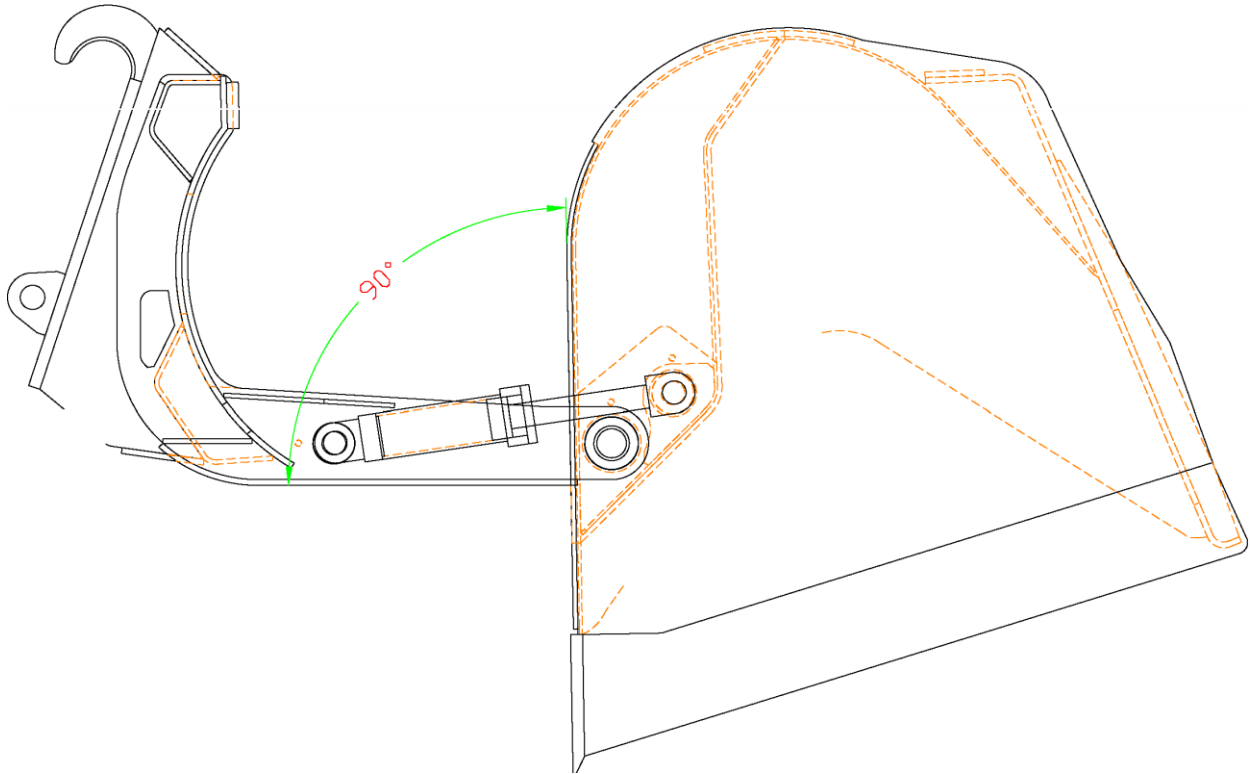
PH: 1-844-882-8008

[info@daequip.com](mailto:info@daequip.com)

***www.daequip.com***

# DAEQUIP

PREMIUM EQUIPMENT ATTACHMENTS



## Specifications

### Standard Capacities (yd<sup>3</sup>)

(Custom sizes available upon request)

	WL 150	WL 200	WL 250	WL 300	WL 400	WL 500	WL 600
Standard Capacities (yd <sup>3</sup> )	1½*	2	3	3½	4	6	8
	2	2½*	3½	4*	4½	7	9
	2½	3	4*	4½	5	8	10
	3	3½	4½	5	5½	9	11
					6	10*	12
					6½	11	13
					7*	12	14*
					8	13	
					9	14*	
Standard Width:	96"	96"	102"	114"	120"	132"	144"
Added Dump Height	16"	18"	20"	23"	23"	26"	30"
Weight (lbs)*	2350	2700	4200	5550	6200	8500	11200

PH: 1-844-882-8008

[info@daequip.com](mailto:info@daequip.com)

[www.daequip.com](http://www.daequip.com)