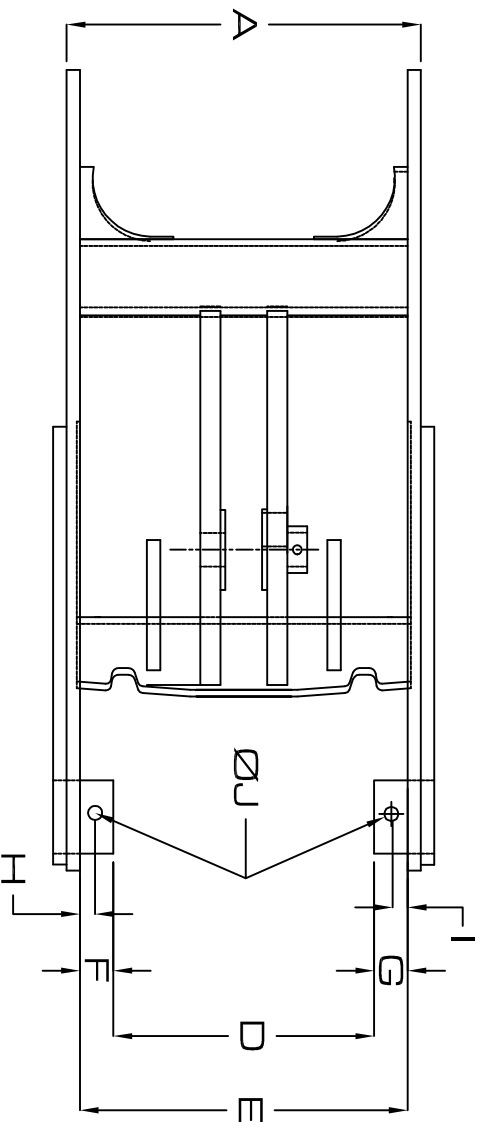
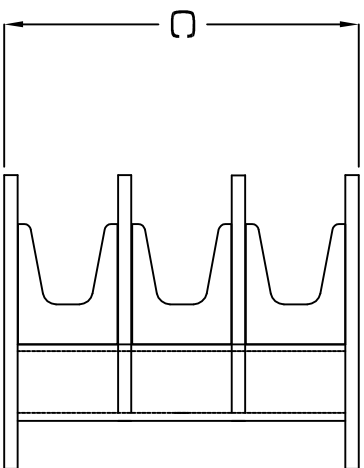
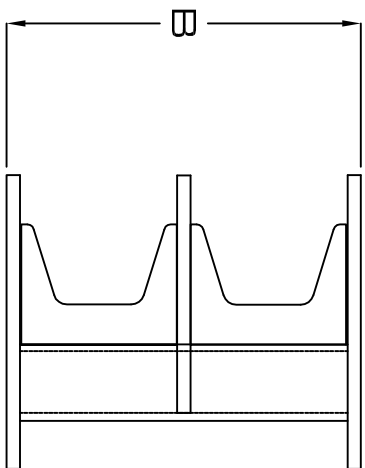
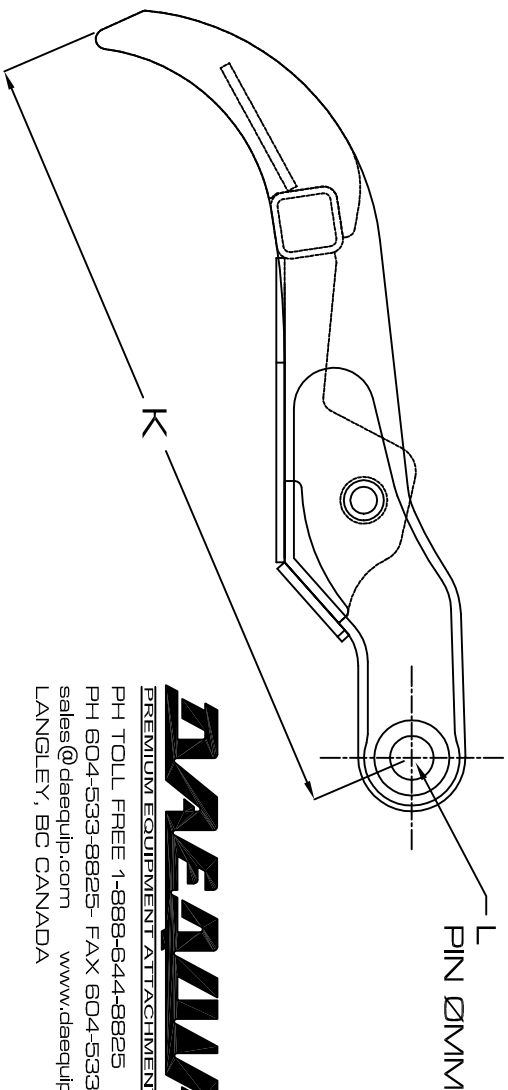


DIMENSION SHEET # HK-805



PLEASE MEASURE AS ACCURATE AS POSSIBLE



A	B	C	D
E	F	G	H
I	J	K	L

MACHINE MAKE
MACHINE MODEL
THUMB MAKE/MODEL
THUMB S/N

DAEQUIP
 PREMIUM EQUIPMENT ATTACHMENTS
 PH TOLL FREE 1-888-644-8825
 PH 604-533-8825- FAX 604-533-8867
 sales@daequip.com www.daequip.com
 LANGLEY, BC CANADA