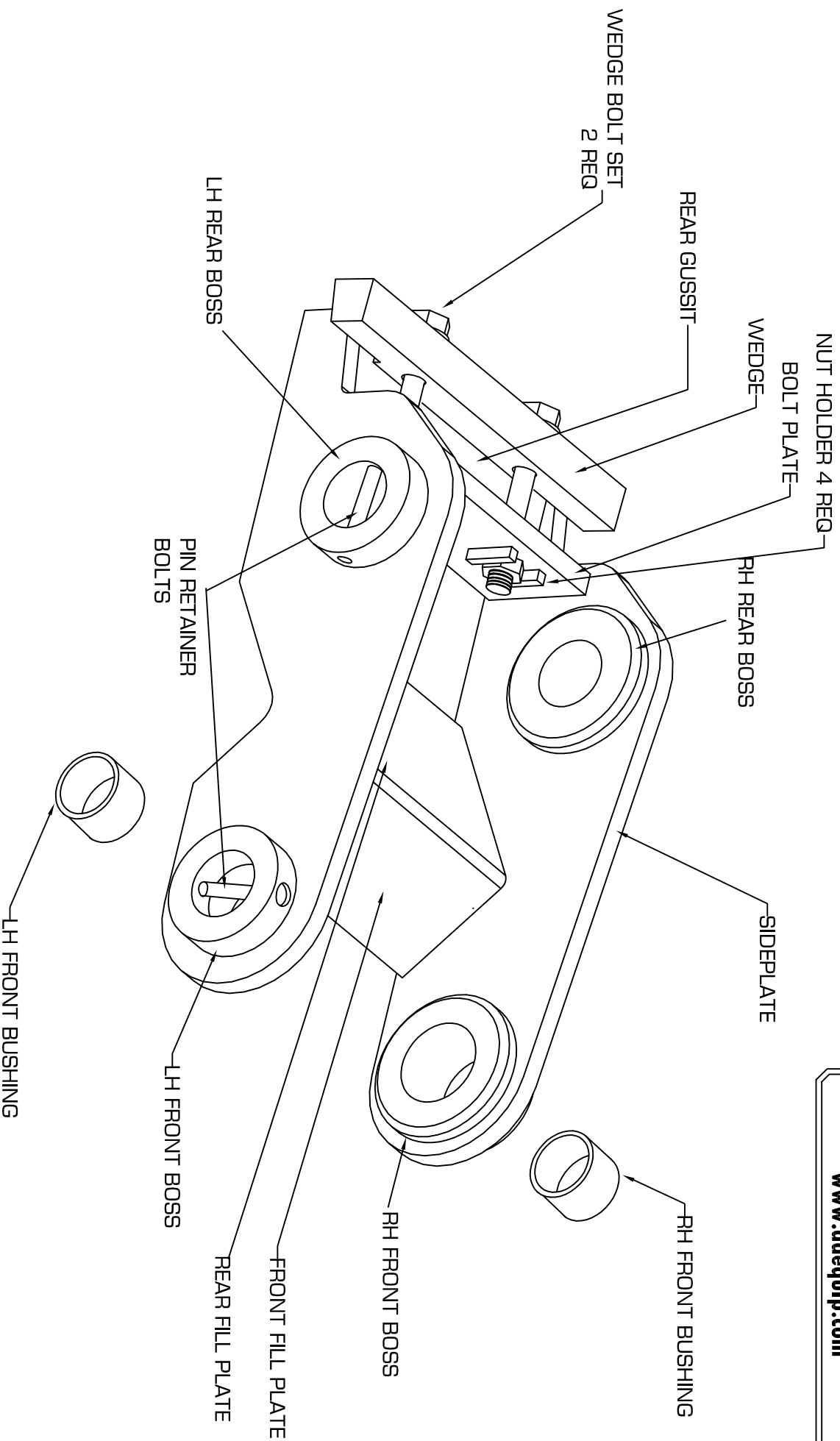


MACHINE/MAKE/ MODEL.....

QUICK CHANGE S/N.....

QUICK CHANGE S/N REQUIRED



PHONE

604-657-3497

FAX

604-533-8867

www.daequip.com