

MACHINE/MAKE/ MODEL.....

WRIST BKT S/N.....

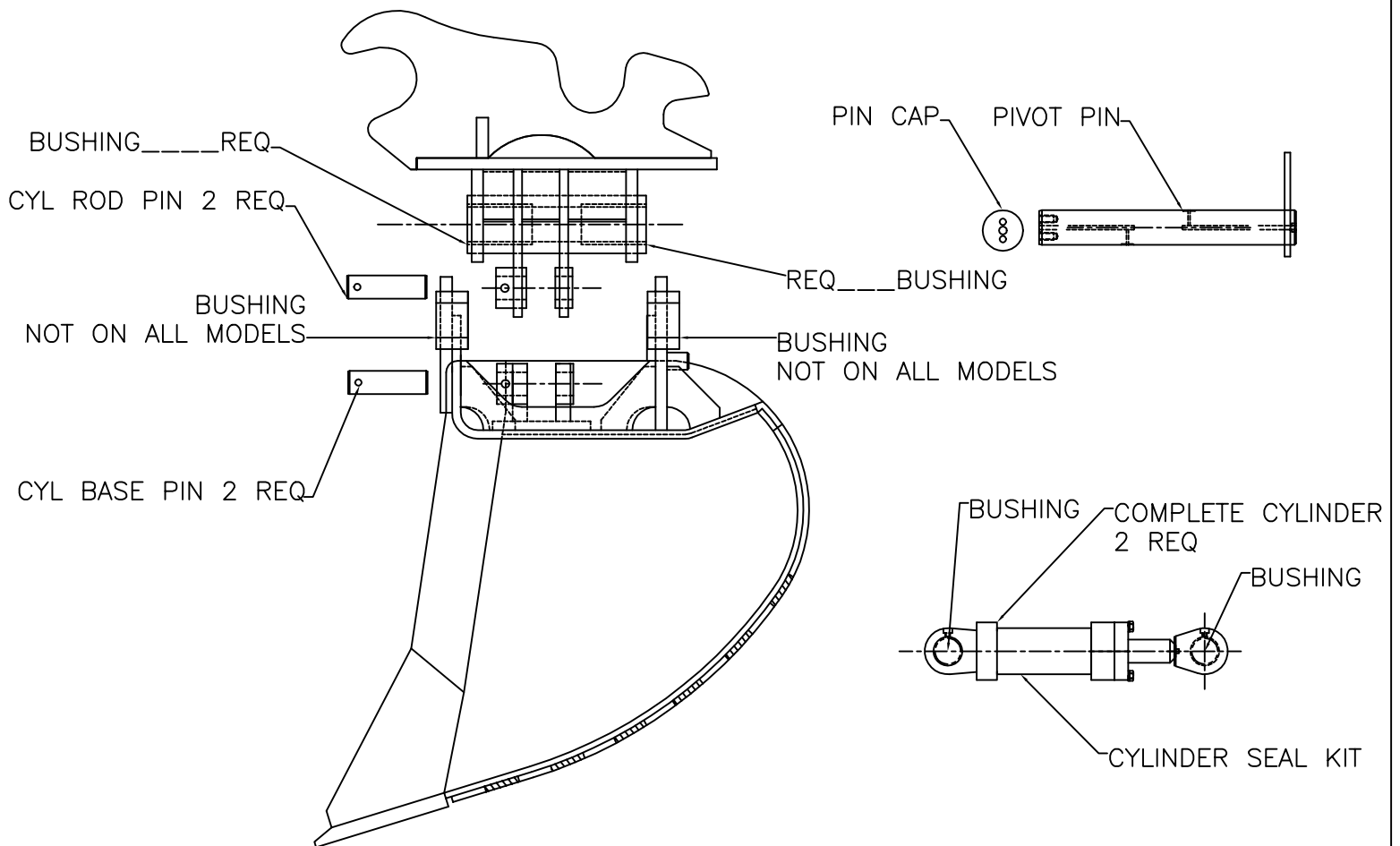
**\*\*WRIST S/N REQUIRED\*\***



**PHONE 604-657-3497**

**FAX 604-533-8867**

**www.daequip.com**



CIRCLE PARTS REQUIRED