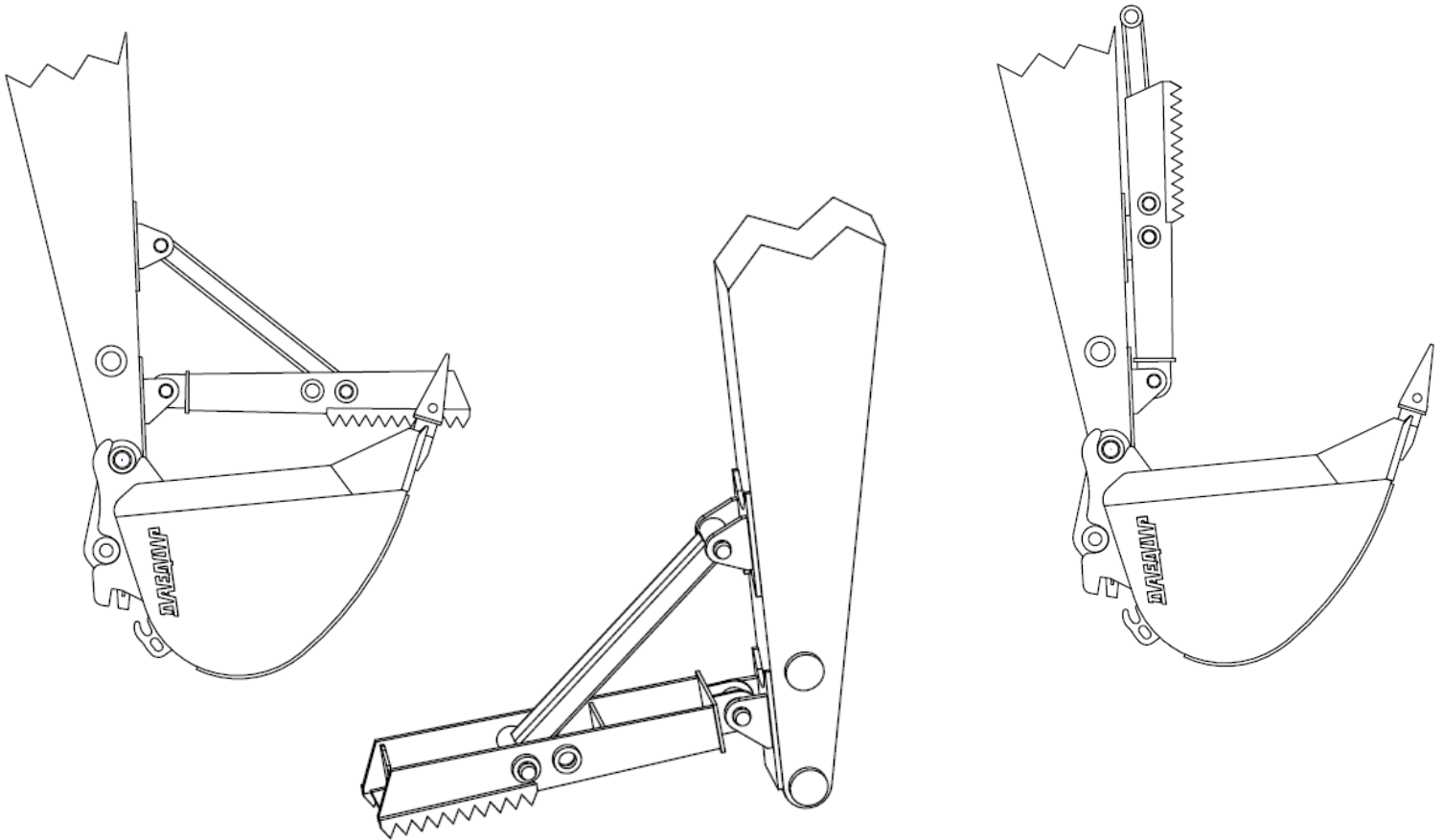


MECHANICAL LINK THUMB



FEATURES:

- ▷ Boxed design to increase structural strength and rigidity.
- ▷ Heavy wall strut tube.
- ▷ Multi-pass 100% welding at all stress points.
- ▷ Corrugated teeth constructed of abrasive resistant T1 material.
- ▷ Pins constructed from heat-treated alloy material.
- ▷ Economical alternative to hydraulic type clamping.
- ▷ Quick one piece fold up.

◁ Complete selection of various sizes and configurations or can be custom built to your specifications ▷

WWW.DAEQUIP.COM

DAEQUIP PREMIUM EXCAVATOR ATTACHMENTS
BRITISH COLUMBIA, CANADA
PHONE: 604-657-3497---FAX: 604-533-8867
E: SOLUTIONS@DAEQUIP.COM

REPRESENTATIVE: