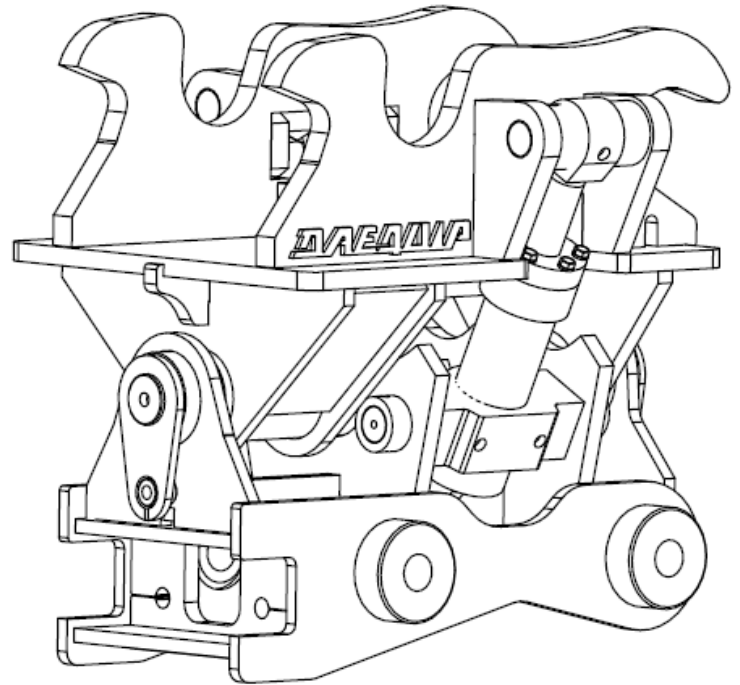
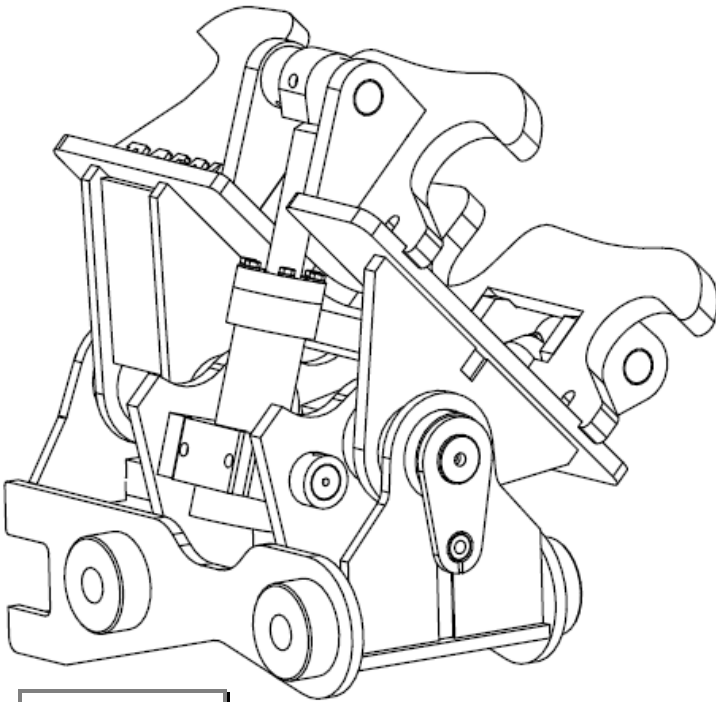


## HYDRAULIC TILTING ADAPTER "PRO-TILT"



### FEATURES:

- ▷ 45-degree tilt angle.
- ▷ Tilts all your attachments with out any modification.
- ▷ Premium double mid section mounted cylinder design eliminates rear cylinder over hang.
- ▷ Double cylinder design for increased torque and even tilt speeds.
- ▷ Cylinder cushioned on both ends for smoother operation.
- ▷ Pins constructed of heat-treated alloy material with added induction hardening to main pivot pin.
- ▷ Through-hardened greaseable bushings.
- ▷ High grade steel construction.
- ▷ Multi-pass 100% welding at all stress points.
- ▷ Alloy steel boss construction.
- ▷ C.N.C. machined for improved accuracy and fit up.
- ▷ Quick-change or factory pin-type lugging.
- ▷ Choice of numerous styles which are fully compatible with other manufacturer's designs.

### OPTIONS:

- ▷ Factory hook-ups
- ▷ Hydraulic wedge Quick attach on bottom.

◁ **Complete selection of various sizes and configurations or can be custom built to your specifications** ▷

[WWW.DAEQUIP.COM](http://WWW.DAEQUIP.COM)

**DAEQUIP PREMIUM EXCAVATOR ATTACHMENTS**  
**BRITISH COLUMBIA, CANADA**  
**PHONE: 604-657-3497---FAX: 604-533-8867**  
**E: SOLUTIONS@DAEQUIP.COM**

REPRESENTATIVE: