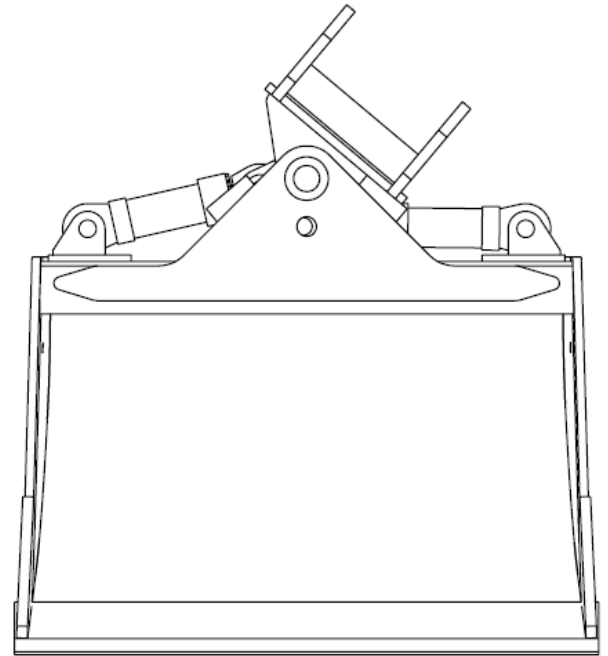
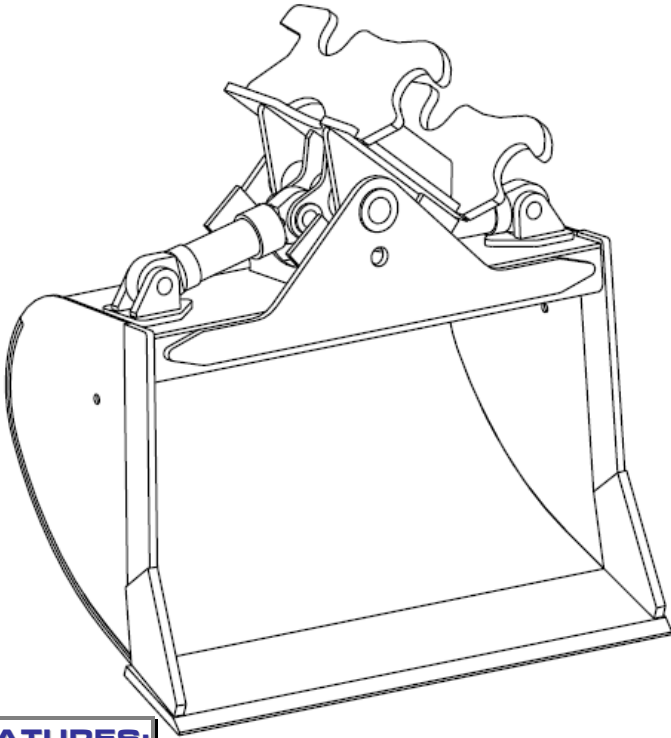


HYDRAULIC TILTING BUCKETS



FEATURES:

- ▷ 45-degree tilt angle.
- ▷ Double cylinder design for increased torque and even tilt speeds.
- ▷ Double cushioned cylinders for smoother operation.
- ▷ Double tapered shell to improve dumping increases penetration and minimizes wear.
- ▷ Double radius bucket shell to reduce bottom wear.
- ▷ Heavy Duty upper stiffener design adds strength and rigidity.
- ▷ Cutting edge, corner bits and side edges constructed of Abrasive Resistant T1 material.
- ▷ Horizontal wear bars constructed of Abrasive Resistant T1 material.
- ▷ Multi-pass 100% welding at all stress points.
- ▷ High yield steel bucket shell adds to overall bucket strength.
- ▷ Pins constructed of heat-treated alloy material with added induction hardening to main pivot pin.
- ▷ Through-hardened greaseable bushings.
- ▷ Lifting eye.
- ▷ Quick-change or factory pin-type lugging.

OPTIONS:

- ▷ Bolt-on edges
- ▷ Bolt-on side cutters
- ▷ Teeth and adapters

WEAR PACKAGES:

- ▷ **XTRA DUTY:** Good wearability in moderate conditions
- ▷ **XTRA DUTY WEAR:** Extra wearability in moderate conditions
- ▷ **XTRA DUTY XTREME:** Extreme rock type conditions

◁ **Complete selection of various sizes and configurations or can be custom built to your specifications** ▷

WWW.DAEQUIP.COM

DAEQUIP PREMIUM EXCAVATOR ATTACHMENTS
BRITISH COLUMBIA, CANADA
PHONE: 604-657-3497---FAX: 604-533-8867
E: SOLUTIONS@DAEQUIP.COM

REPRESENTATIVE: