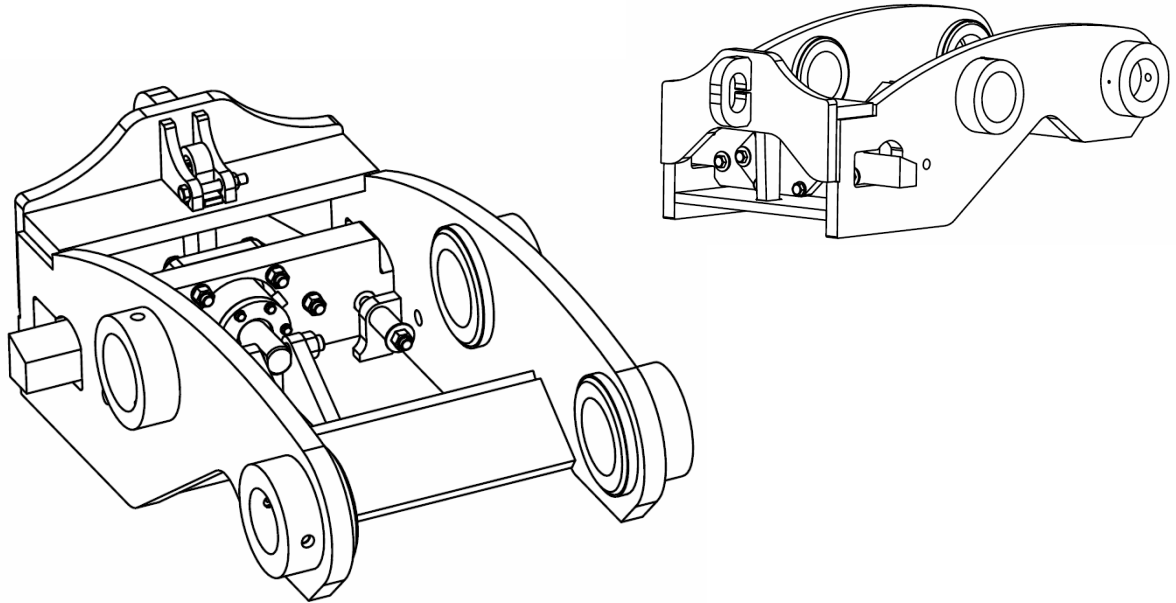


HYDRAULIC WEDGE TYPE QUICK CHANGE



FEATURES:

- ▷ Unique wedge design **guarantees release** every time
- ▷ Heavy wall cylinder barrel prevents barrel dents and damage from rocks and debris.
- ▷ Wedge cylinder guard cover plate available on most models
- ▷ Dual H.D. springs for wedge hold in event of a hydraulic pressure loss.
- ▷ Standard H.D lifting eye.
- ▷ Choice of numerous styles which are **fully compatible** with other manufacturer's designs and hook-ups.
- ▷ High grade steel construction.
- ▷ Alloy steel boss construction.
- ▷ C.N.C. machined for improved accuracy and fit up.
- ▷ Front pin bosses fitted with through hardened steel bushings.
- ▷ Hydraulic thumb ready.
- ▷ Multi-pass welding at all stress points.

OPTIONS:

- ▷ **Conversion kits available to convert your manual wedge coupler to hydraulic**

◁ **Complete selection of various sizes and configurations or can be custom built to your specifications** ▷

WWW.DAEQUIP.COM

DAEQUIP PREMIUM EXCAVATOR ATTACHMENTS
BRITISH COLUMBIA, CANADA
PHONE: 604-657-3497---FAX: 604-533-8867
E: SOLUTIONS@DAEQUIP.COM

REPRESENTATIVE: